

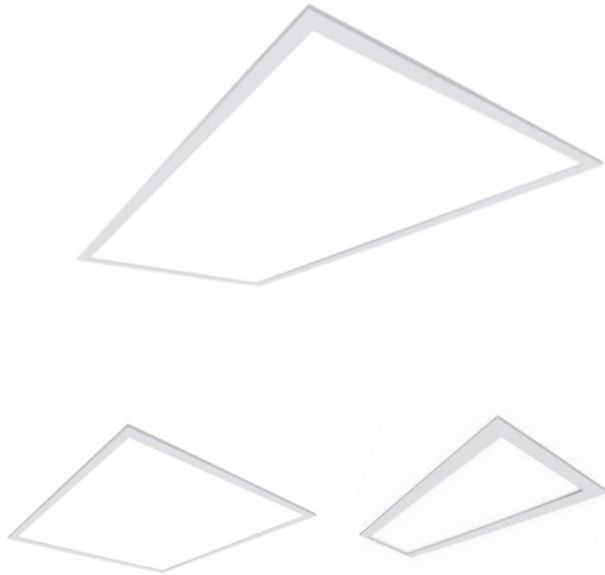
Date \_\_\_\_\_

Project \_\_\_\_\_

Type \_\_\_\_\_

Location \_\_\_\_\_

## SYN - 2X4 / 2X2 / 1X4 SELECTABLE LED BACKLIT PANEL



### Features

- Overall 1-1/2" deep luminaire, including driver box, provides minimal intrusion into the plenum space.
- Even distribution of light on the lens provides exceptionally low glare gradient minimizing distractions at the ceiling plane.
- General light distribution creates uniform horizontal and vertical illuminance on the work plane and limits scalloping on the walls.
- CCT and wattage can easily be selected in the field

### Application

Ideal for illumination of commercial, retail, and office applications.

### Environment

Indoor; dry location.

### Certification

cETLus, DLC

### Material

Extruded aluminum construction with frosted acrylic lens.

### Input Voltage

100-347V AC, 50/60Hz

### Wattage

3-Wattage selectable  
2x4: 30W-40W-50W  
2x2: 20W-30W-40W  
1x4: 20W-30W-40W

### Dimming

0-10V Dimming

### Color Temperature

5CCT selectable  
3000K-3500K-4000K-5000K-6500K

### Beam Angle

120°

### Lumen

115Lm / W

### Power Factor

> 0.9

### THD

<18%

### CRI

80

### IP Rating

IP20

### IC Rated

Yes

### Operating Temperature

-25°C~40°C (-13°F~104°F)

### Add-on Options

- Emergency backup battery - 90mins 10W
- Surface Mount Kit - 2x4 / 2x2 / 1x4
- Motion sensor

### Mounting

Recessed mount in plaster or grid ceilings / surface mount with mounting kits (sold separately)

### Warranty

5-Year limited warranty, estimated 50,000 hours useful life of LED.

## ORDERING INFORMATION

Sample Number: SYN-1x4-3W--5C-80-F

Model#	Wattage	CCT	CRI	Lens	Add-on Options (Sold Separately)
	3W	5C	80	F	
SYN-1x4	3W Wattage Selectable (20W-30W-40W)	5C 5CCT Selectable (3000K-3500K-4000K-5000K-6500K)	80 CRI >80	F Frosted	SK-1x4 1x4 Surface Mount Kit
SYN-2x2	3W Wattage Selectable (20W-30W-40W)				SK-2x2 2x2 Surface Mount Kit
SYN-2x4	3W Wattage Selectable (30W-40W-50W)				SK-2x4 2x4 Surface Mount Kit
					EM Emergency Backup Battery
					MS Motion Sensor

Date \_\_\_\_\_

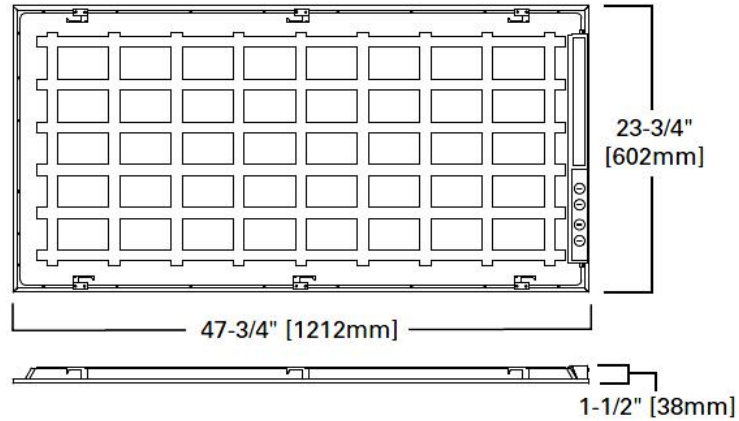
Project \_\_\_\_\_

Type \_\_\_\_\_

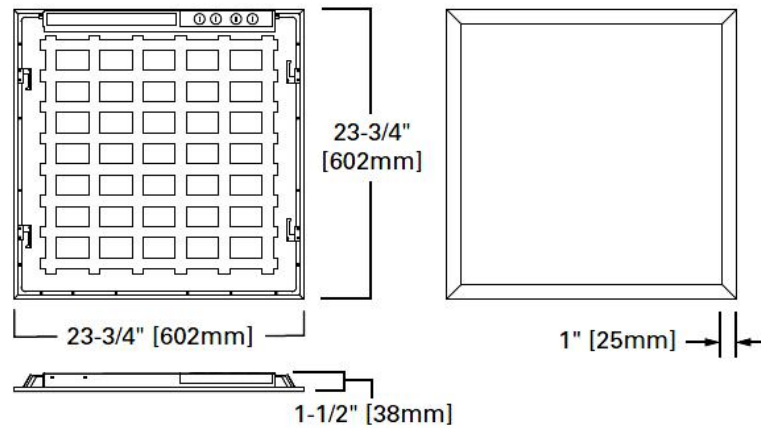
Location \_\_\_\_\_

## DIMENSIONS

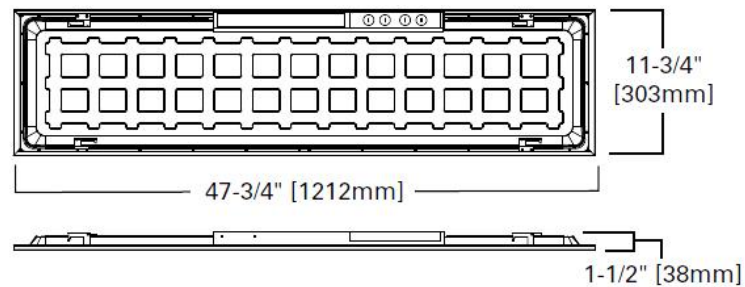
2'x4'



2'x2'



1'x4'



## ADD-ONS



SKIT-1x4



SKIT-2x2



SKIT-2x4

Date \_\_\_\_\_

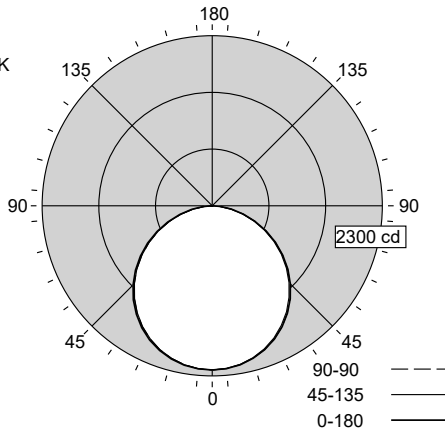
Project \_\_\_\_\_

Type \_\_\_\_\_

Location \_\_\_\_\_

## PHOTOMETRY

2'x4'  
at 4000K

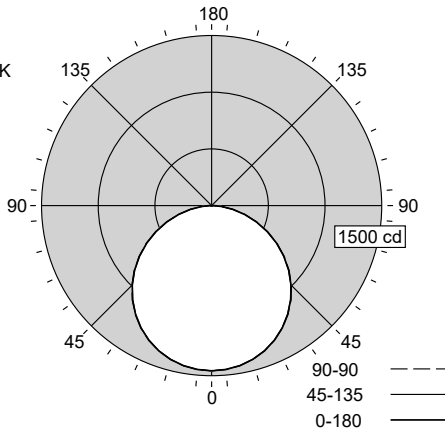


	Candela Distribution					Flux
	0	45	90	135	180	Lumens
0	2220	2220	2220	2220	2220	
5	2210	2208	2210	2210	2212	210
15	2136	2128	2135	2134	2143	602
25	1989	1972	1988	1985	2003	915
35	1773	1750	1770	1767	1790	1105
45	1495	1469	1491	1489	1513	1147
55	1164	1140	1161	1161	1186	1036
65	802	781	800	802	824	791
75	437	420	434	438	456	461
85	114	100	104	111	126	132
90	8	7	6	9	12	

Zonal Lumen Summary			
Zone	Lumens	%Fixture	%Lamp
0-30	1727	26.9%	26.9%
0-40	2831	44.1%	44.1%
0-60	5014	78.1%	78.1%
0-90	6418	100.0%	100.0%
0-180	6418	100.0%	100.0%

Avg. Luminance (cd/m <sup>2</sup> )			
	0	90	180
0	3453	3453	3453
5	3449	3449	3453
15	3438	3437	3451
25	3413	3411	3437
35	3366	3361	3398
45	3288	3279	3328
55	3157	3148	3214
65	2949	2943	3031
75	2625	2607	2739
85	2025	1861	2243

2'x2'  
at 4000K

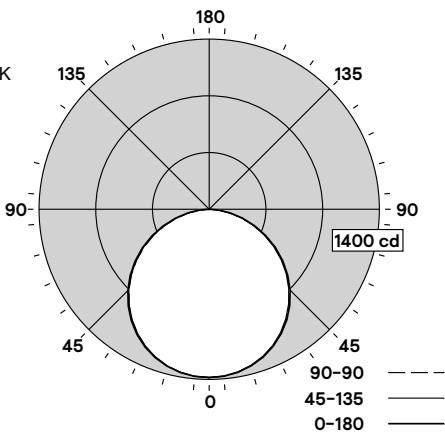


	Candela Distribution					Flux
	0	45	90	135	180	Lumens
0	1457	1457	1457	1457	1457	
5	1451	1451	1452	1451	1451	138
15	1404	1403	1405	1403	1404	396
25	1310	1308	1312	1308	1310	604
35	1171	1168	1174	1168	1171	732
45	990	988	995	988	990	764
55	777	776	782	776	777	695
65	541	541	547	541	541	537
75	301	303	307	303	301	322
85	90	89	87	89	90	105
90	22	18	8	18	22	

Zonal Lumen Summary			
Zone	Lumens	%Fixture	%Lamp
0-30	1138	26.4%	26.4%
0-40	1870	43.4%	43.4%
0-60	3328	77.2%	77.2%
0-90	4311	100.0%	100.0%
0-180	4311	100.0%	100.0%

Avg. Luminance (cd/m <sup>2</sup> )			
	0	90	180
0	4742	4742	4742
5	4741	4745	4741
15	4732	4737	4732
25	4706	4713	4706
35	4652	4666	4652
45	4560	4582	4560
55	4409	4441	4409
65	4166	4215	4166
75	3792	3857	3792
85	3367	3239	3367

1'x4'  
at 4000K



	Candela Distribution					Flux
	0	45	90	135	180	Lumens
0	1385	1385	1385	1385	1385	
5	1379	1377	1379	1379	1380	131
15	1333	1329	1334	1334	1338	376
25	1244	1236	1244	1242	1250	572
35	1113	1099	1108	1107	1118	692
45	941	926	934	935	947	721
55	738	722	728	731	744	653
65	514	499	502	507	520	501
75	285	274	274	281	291	296
85	77	71	71	76	82	89
90	6	5	5	7	7	

Zonal Lumen Summary			
Zone	Lumens	%Fixture	%Lamp
0-30	1079	26.7%	26.7%
0-40	1772	43.8%	43.8%
0-60	3146	77.8%	77.8%
0-90	4045	100.0%	100.0%
0-180	4045	100.0%	100.0%

Avg. Luminance (cd/m <sup>2</sup> )			
	0	90	180
0	4773	4773	4773
5	4772	4772	4776
15	4759	4761	4774
25	4734	4733	4754
35	4682	4664	4706
45	4590	4553	4617
55	4438	4376	4472
65	4190	4094	4242
75	3794	3647	3877
85	3060	2812	3243