

Date _____

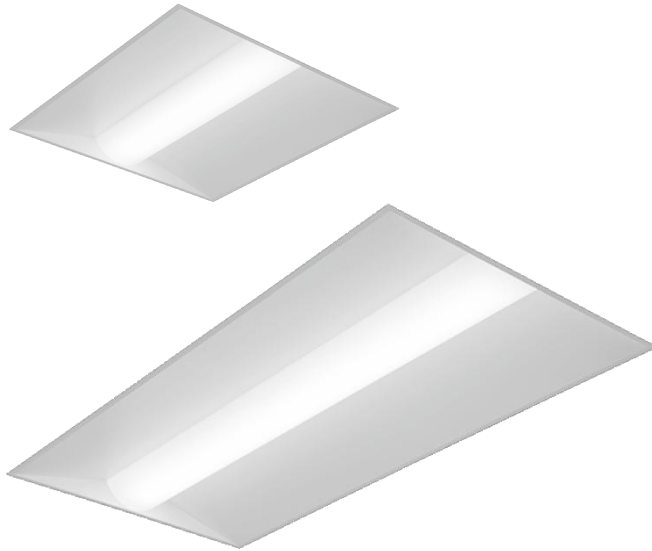
Project _____

Type _____

Location _____

TF 2X4 / 2X2

SELECTABLE LED TROFFER



Features	- Overall 2-1/2" deep luminaire, including driver box. - Even distribution of light on the lens provide very low glare. - General light distribution creates uniform horizontal and vertical illuminance. - CCT and wattage can easily be selected in the field
Application	Ideal for illumination of commercial, retail, and office applications.
Environment	Indoor; dry location.
Certification	cETLus, DLC
Material	Extruded aluminum construction with frosted acrylic lens.
Input Voltage	100-347V AC, 50/60Hz
Wattage	5-Wattage selectable 2x4: 30W-40W-50W-60W-72W 2x2: 20W-25W-30W-35W-40W
Dimming	0-10V Dimming
Color Temperature	5CCT selectable 3000K-3500K-4000K-5000K-6500K
Beam Angle	120°
Lumen	130Lm / W
Power Factor	> 0.9
THD	< 25%
CRI	> 80
IP Rating	IP20
IC Rated	Yes
Operating Temperature	-25°C~40°C (-13°F~104°F)
Add-on Options	- Emergency backup battery - 90mins 10W - Surface Mount Kit - 2x4 / 2x2 - Motion sensor
Mounting	Recessed mount in plaster or grid ceilings / surface mount with mounting kits (sold separately)
Warranty	5-Year limited warranty, estimated 50,000 hours useful life of LED.

ORDERING INFORMATION

Sample Number: TF2x4-5W--5C-80-F

Model#	Wattage	CCT	CRI	Lens	Add-on Options (Sold Separately)
	5W	5C	80	F	
TF2x2	5W Wattage Selectable (20W-25W-30W-35W-40W)	5C 5CCT Selectable (3000K-3500K-4000K-5000K-6500K)	80 CRI >80	F Frosted	SK-2x2 2x2 Surface Mount Kit
TF2x4	5W Wattage Selectable (30W-40W-50W-60W-72W)				SK-2x4 2x4 Surface Mount Kit EM Emergency Backup Battery MS Motion Sensor

Date

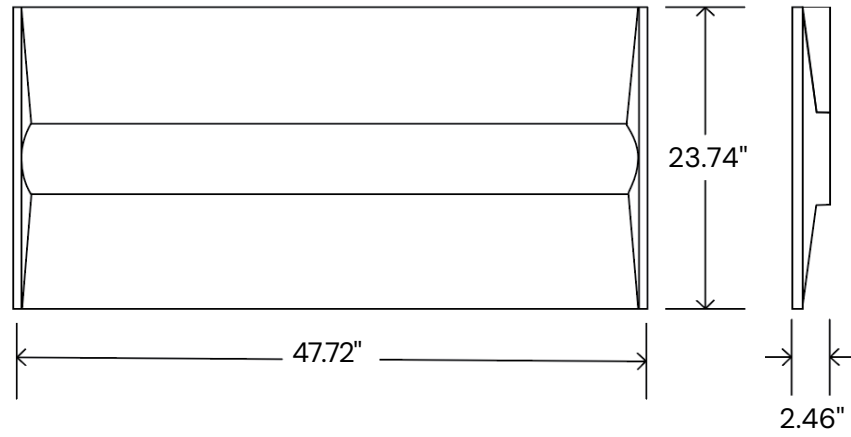
Project

Type

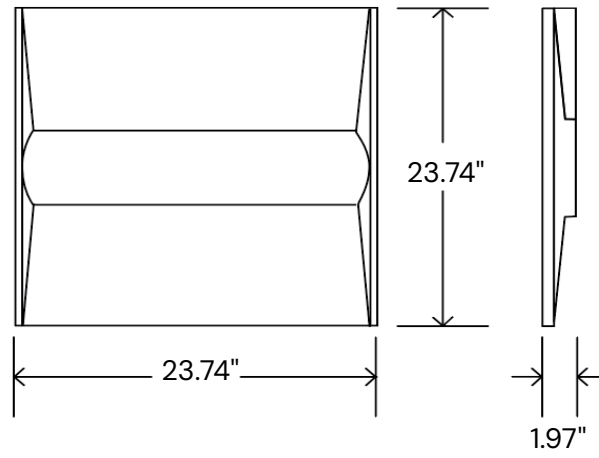
Location

DIMENSIONS

2'x4'



2'x2'



ADD-ONS



SKIT-2x2



SKIT-2x4