

WP06-120W

LED WALL PACK LIGHT



Date

Project

Type

Location



Features	<ul style="list-style-type: none"> • Die-cast aluminum housing and lens frame with heat and impact resistant borosilicate glass lens. • LED light engine is weatherproof sealed in a luminaire rated IP65. • Mounts to standard 3-½" to 4" round and octagonal or 4-inch square electrical junction boxes. Five ½ NPT threaded conduit access. • Driver efficiency (>84% at full load). Available in 120-347V.
Application	Ideal for exterior illumination of commercial, retail, office, and warehouse applications.
Environment	Exterior; dry, damp and wet locations.
Material	Die-cast aluminum housing
Lens Details	Heat and impact resistant borosilicate glass lens
Finish	Bronze / White
Input Voltage	120-347V AC, 50/60Hz
Dimming	0-10V Dimming, 10% to 100%
Wattage	120W
Lumen	3000K – 16500lm 4000K – 17100lm 5000K – 17500lm
Color Temperature	3000K/4000K/5000K
Dimensions	W 14-3/8in x D 7-3/8in x H 9-3/8 in
Weight	8.15lbs
Beam Distribution	110°
Power Factor	≥ 0.9
Surge Protection	6kV
IK Rating	IK08
CRI	> 80
IP Rating	IP65
Operating Temperature	-40°C~60°C (-40°F~140°F)
Add-on Options	<ul style="list-style-type: none"> • Emergency backup battery - 90mins • Photocell • PIR sensor • Microwave Occupancy Sensor • Wire guard • Light Visor
Mounting	Surface mount
Certification	cULus, DLC
Warranty	5-year limited warranty on LED and driver. Estimated 50,000 hours useful life of LED.

Date _____

Project _____

Type _____

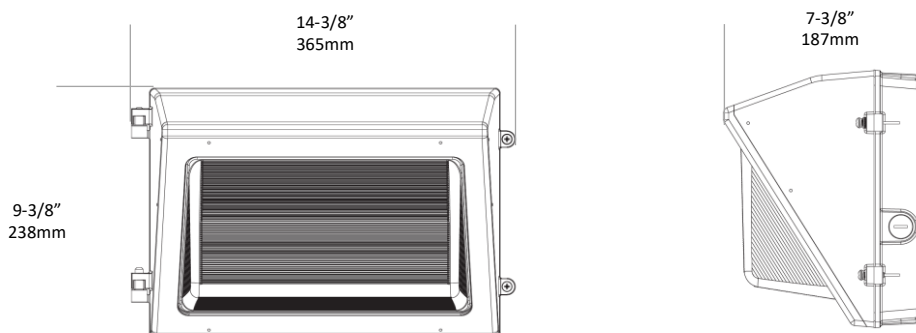
Location _____

ORDERING INFORMATION

Sample Number: WP06M-120W-3K-C-MS

Model#	Wattage	CCT	Lens Options	Emergency Options <small>(Sold Separately)</small>	Add-on Options <small>(Sold Separately)</small>
WP06M	120W		C		
WP06M	120W	3K 3000K 4K 4000K 5K 5000K	C Clear	EM90 90-min Emergency Backup Battery EM120 120-min Emergency Backup Battery	PH Photocell BP Built-in Photocell PIR PIR Sensor MS Microwave Sensor WG Wire Guard LV Light Visor

DIMENSIONS



Accessories (Optional)

			
Wire Guard	Light Visor	Photocell	