



LIGHTBOX

Date

Project

Type

Location

CRT90L / CRT110L VENTILATION FAN



Application

Ultra silent, high performance ventilation fans ideal for use in the bathroom, laundry room, sun room, basement or garage.

Housing

- Made of rugged 26 gauge galvanized steel
- Integrated 4in diameter duct adapter
- Built-in damper reduces back drafting and helps with blower door testing.
- Built-in metal flange

Motor/Blower

- Power rating shall be 120 volts and 60Hz
- Fan should be ETL and cETL listed for tub/shower when used with a GFCI branch circuit
- DC motor - higher efficiency and long lasting reliability
- Low RPM for quiet performance
- Motor equipped with thermal cutoff protection

Grille

- Low profile
- Attaches directly to housing with torsion springs

Mounting

Ceiling mount or wall mount

Certification

ETL certified and conforms to UL and cUL safety standard, HVI, Energy Star

Warranty

3-year limited warranty



SPECIFICATIONS

Model No.		CRT90L		CRT110L	
Ventilation Fan Characteristic	Static Pressure in inches w.g.	0.1	0.25	0.1	0.25
	Air Volume (CFM)	90	67	110	100
	Noise (sones)	0.8	N/A	1.0	N/A
	Fan Power (watts)	25W	23W	31W	29W
	Current (amps)	0.16	0.18	0.18	0.26
	MAX. Current	0.27 amps			
	Power Rating (V/Hz)	120V / 60Hz			
	ENERGY STAR Qualified	Yes			
	Thermal Cut-off Protection	Yes			
	Duct Size	4in Oval			
	Housing Dimension	L 9in x W 9in x L 7-3/4"		L 229mm x W 229mm x H 197mm	
	Grille Dimension	L 11-13/16in x W 11-13/16in x H 1/2in		L 300mm x W 300mm x H 15mm	
	Gross Weight	9.3lbs		4.18kgs	



LIGHTBOX

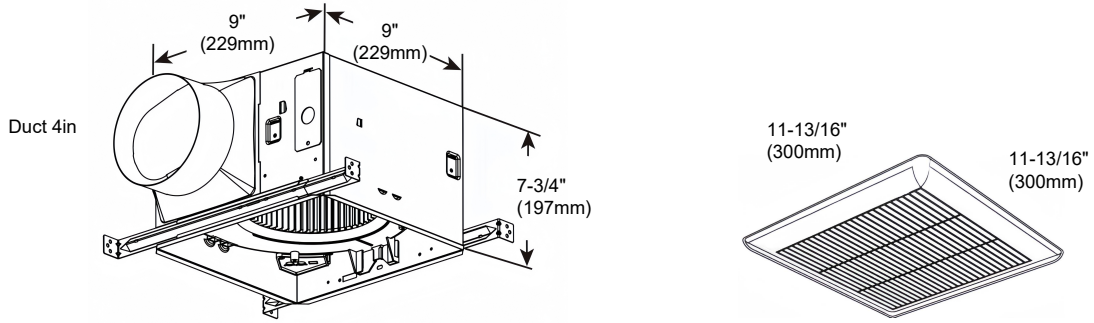
Date _____

Project _____

Type _____

Location _____

DIMENSIONS



PERFORMANCE CURVE

Performance Curve 4" Duct

