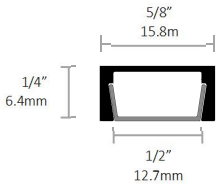
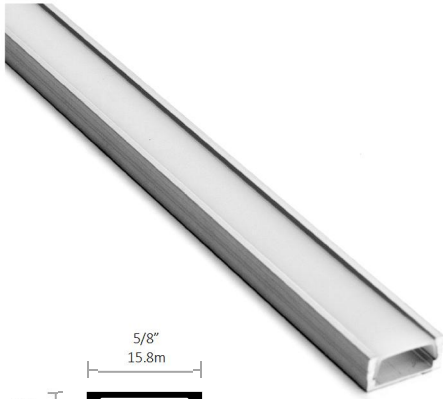


CR1607

LINEAR ALUMINUM CHANNEL

Aluminum Channel

Date	
Project	
Type	
Location	



FEATURES

- Recessed and surface mounting options.
- Customizable length.
- Frosted diffuser for maximum lumen output and wider beam distribution.
- Available finish: Silver.
- Custom colors available.
- Suitable for both indoor and outdoor use.

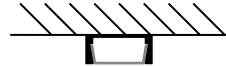
SPECIFICATIONS

Material	Anodized aluminum
Diffuser	Frosted polycarbonate lens
Finish	Silver
Dimensions	5/8" x 1/4" x 10' 15.8mm x 7mm x 3m
Installation Options	Recessed mount Surface mount
Accessories	End cap, mounting clip

INSTALLATION



Recessed mount



Surface mount



CUSTOM COLOR

FINISH

- Silver
- Custom Color

MOUNTING ACCESSORIES (SOLD SEPARATELY)



End cap



Mounting Clip